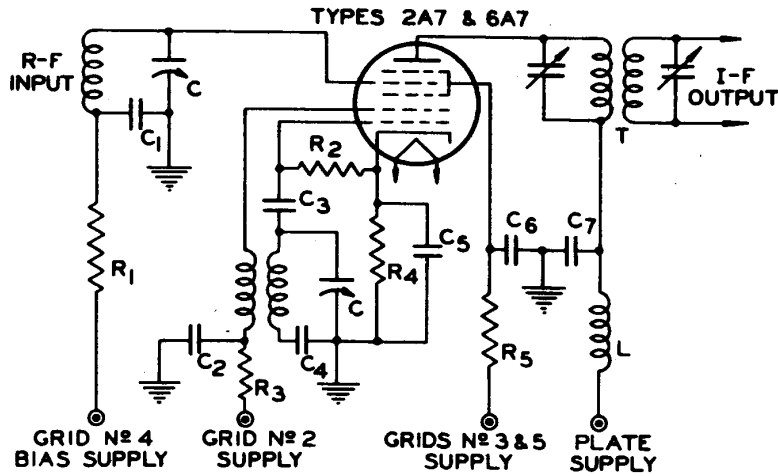


PENTAGRID CONVERTER

Heater Coated Unipotential Cathode
 Voltage 2.5 a-c or d-c volts
 Current 0.8 amp.

For further data, see Type 6A7. The 6A7 and 2A7 are identical except for heater rating.

TYPICAL PENTAGRID CONVERTER CIRCUIT



- C = GANGED TUNING CONDENSER
(40 TO 350 $\mu\mu f$)
- $C_1, C_2, C_5, C_6, C_7 = 0.1 \mu f$
- $C_3 = 0.00025 \mu f$
- $C_4 =$ SEE TABLE BELOW
- $R_1 = 250\,000$ OHMS, 0.1 WATT
- $R_2 = 10\,000 - 50\,000$ OHMS, 0.1 WATT
- $R_3 =$ OSCILLATOR-ANODE (GRID N° 2)
VOLTAGE-DROPPING RESISTOR
- $R_4 = 150 - 300$ OHMS, 0.1 WATT
- $R_5 =$ SCREEN (GRIDS N° 3 & 5) FILTER RESISTOR
- L = 60-MILLIHENRY R-F CHOKE
- T = 465-KC I-F TRANSFORMER

The license extended to the purchaser of tubes appears in the License Notice accompanying them. Information contained herein is furnished without assuming any obligations.



TYPES 2A7 AND 6A7

TYPICAL PENTAGRID CONVERTER CIRCUIT
COIL DESIGN DETAILS

(continued from preceding page)

FREQUENCY BAND MEGACYCLES	0.15 TO 0.40		0.55 TO 1.5		1.5 TO 4.0		4.0 TO 10		10 TO 25	
	1		2		2		3		3	
ASSEMBLY NO	WIRE #	TURN #	WIRE #	TURN #	WIRE #	TURN #	WIRE #	TURN #	WIRE #	TURN #
R-F COIL (L1)	422	36 SSE	116	30 SSE	146	32 ENAM	36.2	30 ENAM	10.1	30 ENAM
OSC. GRID COIL (L2)	198	36 SSE	80	30 SSE	92	32 ENAM	30.9	30 ENAM	9.7	30 ENAM
OSC. PLATE COIL (L3)	60	36 SSE	30	30 SSE	20	32 ENAM	12	36 ENAM	12	36 ENAM
OSC. TRACKING COND. (C4)	117	μμf	400	μμf	1070	μμf	2900	μμf	7300	μμf

MULTI-LAYER COILS		SINGLE-LAYER COILS		SINGLE-LAYER COILS	
NO 1		NO 2		NO 3	