

CHARACTERISTICS

GENERAL DATA

Focusing Method	Electrostatic
Deflecting Method	Electrostatic
Phosphor	P1
Fluorescence	Green
Persistence	Medium
Faceplate	Clear

ELECTRICAL DATA

Heater Voltage	6.3 Volts
Heater Current (approx.)	0.6 Ampere
Direct Interelectrode Capacitances (approx.)	
Cathode to All Other Electrodes	8.0 μmf
Grid to All Other Electrodes	8.5 μmf
Between Deflecting Plates 1-2 ¹	2.0 μmf
Between Deflecting Plates 3-4 ¹	2.0 μmf
Deflecting Plate 1 to All Other Electrodes Except DP2	6.0 μmf
Deflecting Plate 2 to All Other Electrodes Except DP1	5.0 μmf
Deflecting Plate 3 to All Other Electrodes Except DP4	4.0 μmf
Deflecting Plate 4 to All Other Electrodes Except DP3	6.0 μmf

MECHANICAL DATA

Minimum Useful Screen Diameter	2 $\frac{3}{4}$ Inches
Base	Medium Shell Diheptal 12-Pin
Basing	14G

RATINGS

MAXIMUM RATINGS (Absolute Values)

Anode No. 2 Voltage	2,200 Volts dc
Anode No. 1 Voltage	1,100 Volts dc
Grid Voltage	
Negative Value	200 Volts
Positive Value	0 Volts
Peak Heater-Cathode Voltage	
Heater Negative with Respect to Cathode	125 Volts
Heater Positive with Respect to Cathode	10 Volts
Peak Voltage Between Anode No. 2 And Any Deflection Plate	550 Volts

RECOMMENDED OPERATING CONDITIONS

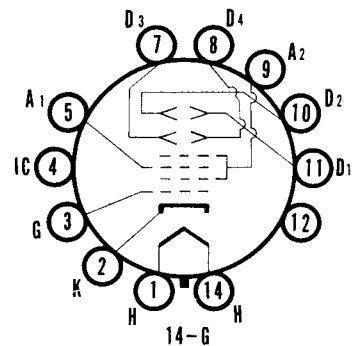
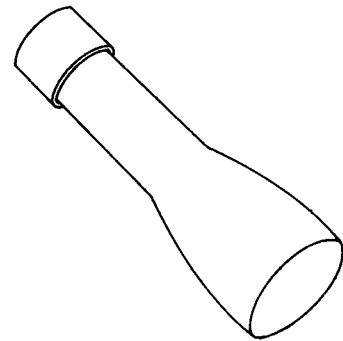
Anode No. 2 Voltage ²	2,000 Volts dc
Anode No. 1 Voltage for Focus	400 to 690 Volts dc
Grid Voltage Required for Cutoff ³	-30 to -90 Volts dc
Deflection Factor	
Deflecting Plates 1-2 ⁴	200 Volts dc/Inch
Deflecting Plates 3-4 ⁵	148 Volts dc/Inch

CIRCUIT VALUES

Grid Circuit Resistance	1.5 Megohms Max.
Deflection Circuit Resistance	5.0 Megohms Max.

QUICK REFERENCE DATA

Special Purpose Tube
3" Direct Viewed
Round Glass Type
Electrostatic Deflection
Electrostatic Focus



SYLVANIA ELECTRIC PRODUCTS INC.

TELEVISION PICTURE TUBE DIVISION
SENECA FALLS, NEW YORK

*Prepared and Released By The
TECHNICAL PUBLICATIONS SECTION
EMPORIUM, PENNSYLVANIA*

JULY, 1954

SYLVANIA

3BP1A

NOTES:

1. Deflecting Plate 1 is Pin No. 11
Deflecting Plate 2 is Pin No. 10
Deflecting Plate 3 is Pin No. 7
Deflecting Plate 4 is Pin No. 8
2. Brilliance and definition decrease with decreasing Anode No. 2 Voltage. In general, Anode No. 2 Voltage should not be less than 1500 volts.
3. Visual extinction of undeflected focused spot.
4. Deflecting Plates 1-2 are nearer the screen.
5. Deflecting Plates 3-4 are nearer the base.

