

MECHANICAL DATA

Bulb	T-5½
Base	Miniature Button 7-Pin
Basing	7DW
Cathode	Coated Unipotential
Mounting Position	Any

ELECTRICAL DATA

HEATER CHARACTERISTICS

Heater Voltage	Series/Parallel	12.6/6.3 Volts
Heater Current	Series/Parallel	150/300 Ma

DIRECT INTERELECTRODE CAPACITANCES

	Shielded ¹	Unshielded
Grid to Plate	3.4	3.4 μmf
Input	2.6	2.4 μmf
Output	3.2	0.9 μmf

RATINGS (Design Center Values)

Plate Voltage	300 Volts	Max.
Plate Dissipation	2.5 Watts	Max.
Heater-Cathode Voltage	90 Volts	Max.

CHARACTERISTICS AND TYPICAL OPERATION

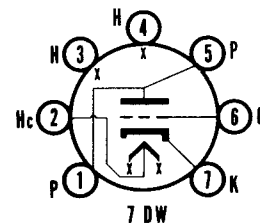
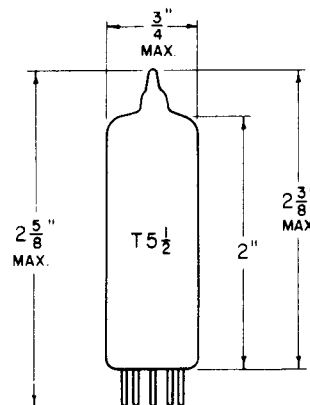
Plate Voltage	90	250 Volts
Grid Voltage	0	-8 Volts
Plate Current	10	9 Ma
Transconductance	3000	2600 μmhos
Plate Resistance	6700	7700 Ohms
Amplification Factor	20	20
Grid Voltage (approx.) For $I_b = 10 \mu\text{a}$	-7	-18 Volts

NOTE:

1. With shield No. 316 connected to cathode.

QUICK REFERENCE DATA

The Sylvania Type 12H4 is a miniature, general purpose, medium mu triode. Except for basing and heater operation, the Type 12H4 is identical to the Type 12G4. It is also similar to one section of a Type 12SN7GT.



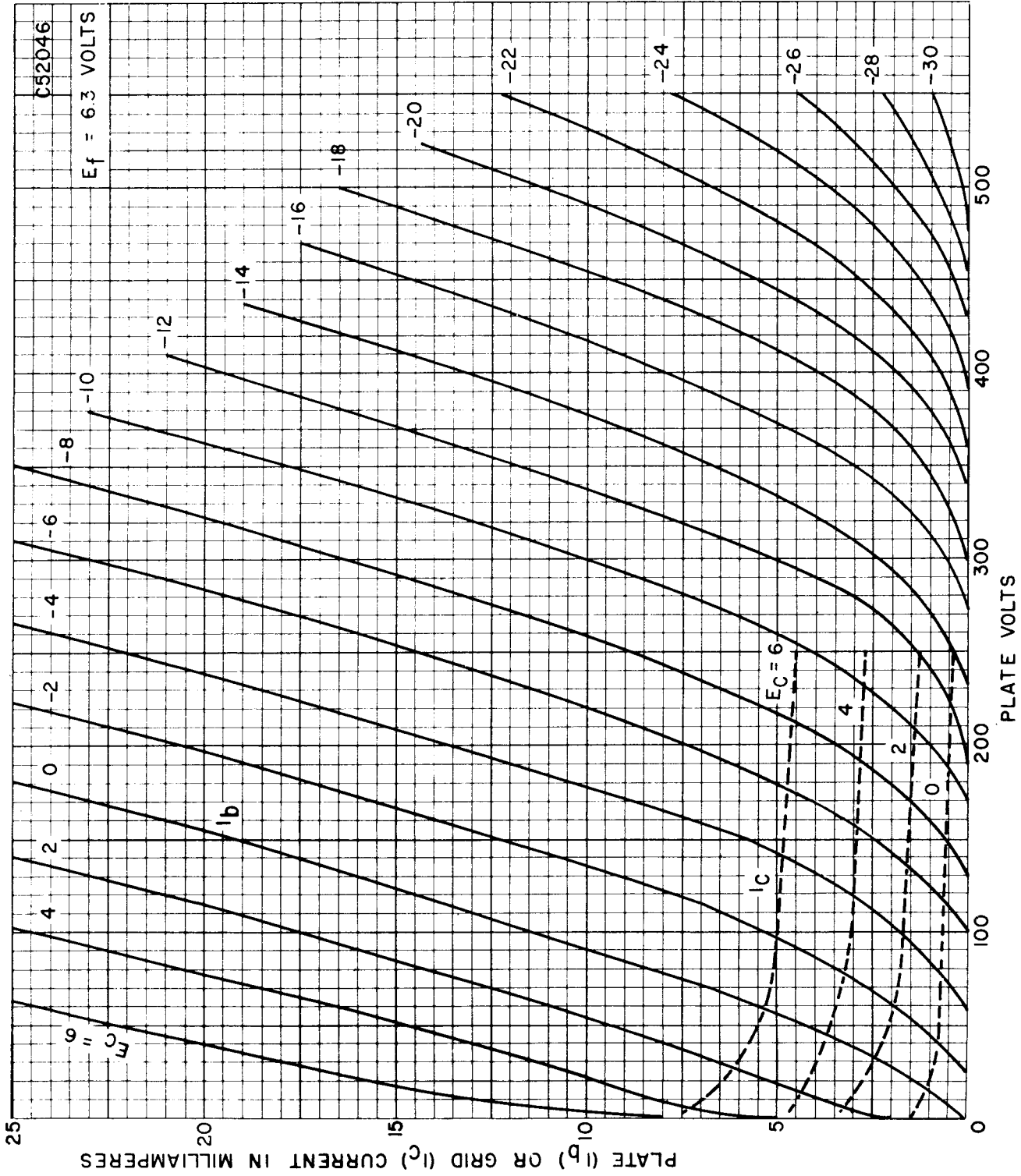
**SYLVANIA ELECTRIC
PRODUCTS INC.**

RADIO TUBE DIVISION

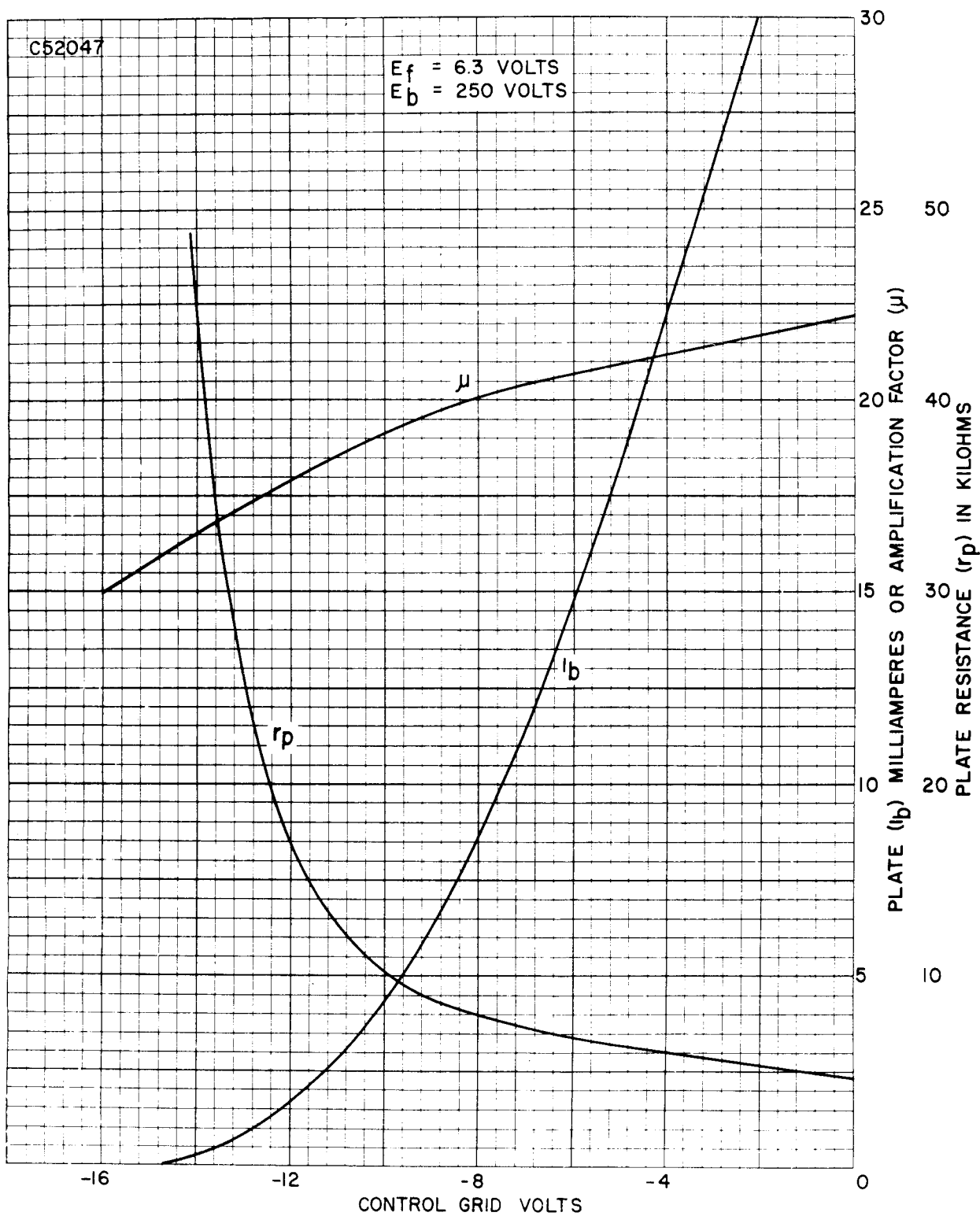
*Prepared and Released By The
TECHNICAL PUBLICATIONS SECTION
EMPORIUM, PENNSYLVANIA*

JANUARY 1954

AVERAGE PLATE CHARACTERISTICS



AVERAGE TRANSFER CHARACTERISTICS



SYLVANIA

12H4

AVERAGE TRANSFER CHARACTERISTICS

