

**AN/TTC-48(V) Small Extension Node Switch**

Status: To be determined; NSN: To be determined

Reference: TM 11-5805-764-13

The SENS consists of an S-250E shelter transported on an M-1037 (HMMWV). The SENS contains switching, multiplexing, and COMSEC equipment which supports the secure digital communications of a CP. The SENS is provided in two versions, (V)1 and (V)2. The (V)1 provides 26 digital lines and 10 digital trunks. The (V)2 provides 41 digital lines and 13 digital trunks. Both versions provide 2 DC closure commercial office interface and a secure Digital Net Radio Interface, KY-90. The SENS can interface with a LENS or NC switch directly via CX-11230/G cable, via LOS or via TACSAT Terminal AN/TSC-85A or AN/TSC-93A. Power is provided by a PU-753/M, 10-kw, trailer-mounted, diesel generator set.

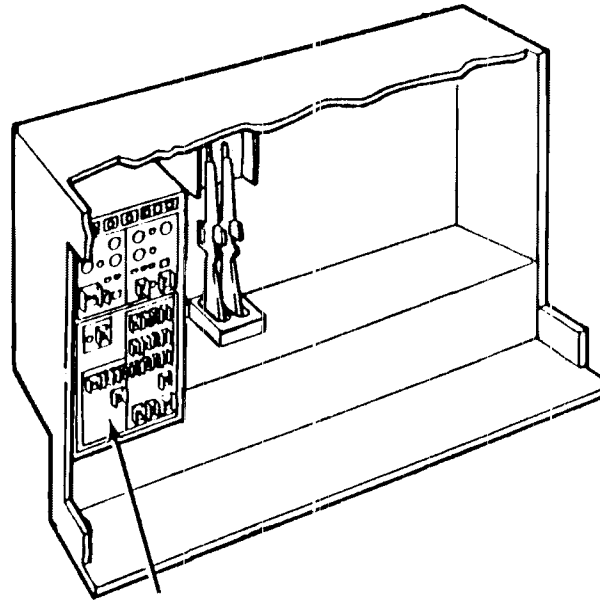
**Major Components**

1 Shelter S-250( )/G	1 VINSON COMSEC Equipment KY-57
2 Telephone Switchboards SB-4303	1 Secure Digital Net Radio Interface Unit KY-90
1 DNVT TA-1035/U	1 Transition Unit HGF-94
1 Loop Group Multiplexer TD-1235	1 Inverter, Avionics
1 Trunk Encryption Device KG-94	1 Environmental Control Unit
1 Group Modem MD-1026	2 Junction Boxes J-1077/U ((V)1)
1 Orderwire Control Unit	4 Junction Boxes J-1077/U ((V)2)
1 VHF Radio Set AN/GRC-224(P)	2 Cables CX-4566 (250 feet) ((V)1)
	4 Cables CX-4566 (250 feet) ((V)2)

**Technical Characteristics**

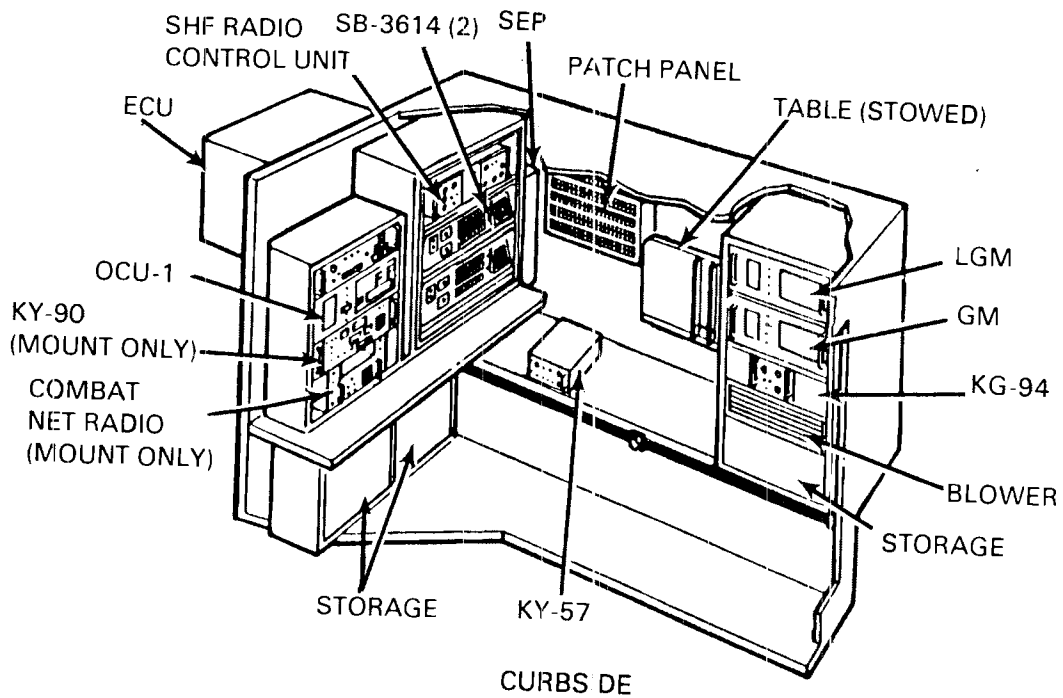
Power Requirements-----115 V AC 50 or 60 Hz, single phase

### AN/TTC-48(V) Small Extension Node Switch



POWER BAY

ROADSIDE



CURBS DE