

Section III. Auxiliary Multiplex Equipment AN/PTM-7 Telephone Test Set with CX-11230/G or CX-4245/G Special Purpose Electrical Cable and TD-206B/G Pulse Form Restorer

Status: STD-A; NSN: 6625-00-902-7574 (AN/PTM-7)
STD-A; NSN: 5995-00-133-9126A (CX-11230/G or CX-4245/G)
STD-A; NSN: 5805-01-020-2251 (TD-206B/G)

Reference: TM 11-6625-648-12 (AN/PTM-7)
TM 11-5995-208-10 (CX-11230/G or CX-4245/G)
TM 11-5805-367-12 (TD-206B/G)

General Information

The AN/PTM-7 locates faults in a PCM cable link that consists of Pulse Form Restorer TD-206B/G and Special Purpose Electrical Cable CX-11230/G or CX-4245/G. The AN/PTM-7 determines the location of an open or short circuit in a cable link up to 1.6 km (1 mi) away in one of the two circuit paths. Communication is possible with attended points by connecting AN/PTM-7 to the restorer or at a cable rupture. The cable is used to transmit video signals via two internal coaxial cables between attended points on a full-duplex mode. Each cable is .4 km (.25 mi) long and interfaces another cable, or TD-206B/G or attended point. The TD-206B/G is an unattended restorer which receives distorted input signals and restores them to the originally generated form.

Technical Characteristics

AN/PTM-7:

Orderwire-----300 to 1700 Hz
Signaling Frequency-----1600 Hz
Power Requirement-----7.5 and 14.5 V DC
Weight-----10.4 kg (23 lb)

CX-11230/G or CX-4245/G:

Channel Capacity-----6, 12, 24, or 48
Weight with Reel-----52.2 kg (115 lb)
Maximum Span without Support-----30.5 m (100 ft)

WARNING: DO NOT PUT UNSUPPORTED CONNECTORS IN SPAN.

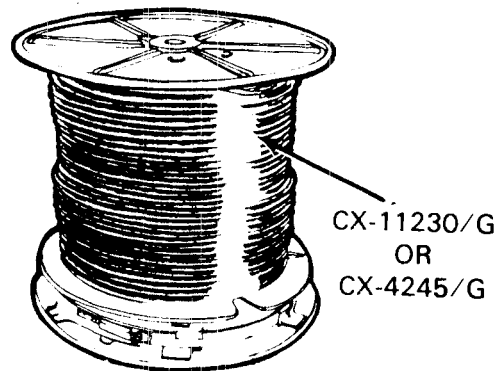
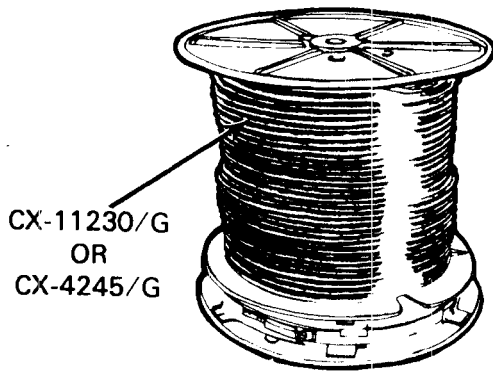
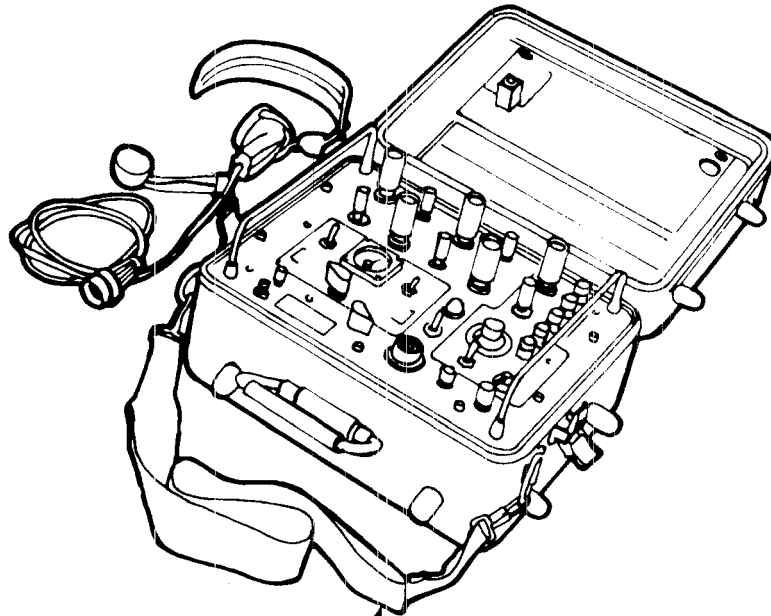
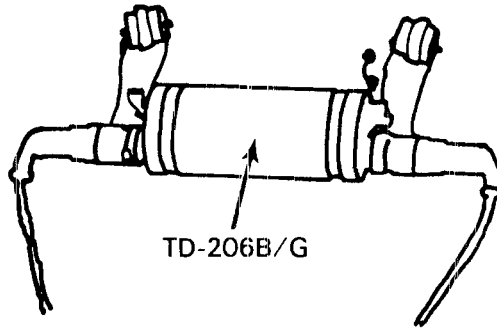
TD-206 B/G:

Power Requirement-----11.3 V DC supplied by TD-204/U or
TD-754/G via CX-11230 or CX-4245/G cable
Weight-----.93 kg (2.04 lb)

- TD-206 B/G -

- RETIMES/RESHAPES PULSE CODE*
- UP TO 48 CHS*
- 1 MI INTERVAL*
- MAX 39 BTWN RPTRS PWZ BY TD-754*

**AN/PTM-7 Telephone Test Set with CX-11230/G or
CX-4245/G Special Purpose Electrical Cable and
TD-206B/G Pulse Form Restorer**



1/4 MI IN 100' SECTIONS