

AN/ARN-30D/E Radio Receiving Set

Status: STD-B; NSN: 5826-00-752-5814 (AN/ARN-30D)
 STD-B; NSN: 5826-00-892-1056 (AN/ARN-30E)

Reference: TM 11-5826-215-12
 TB 43-0123

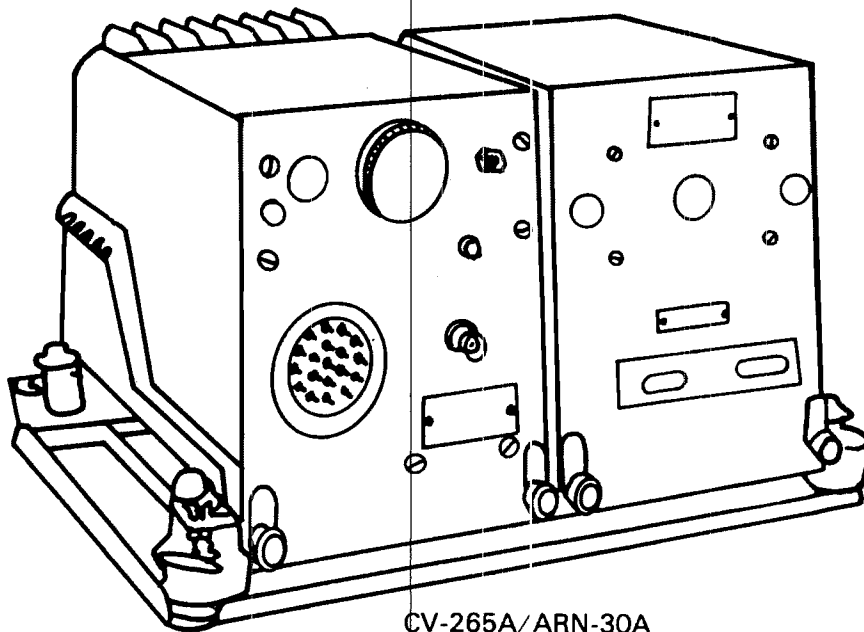
General Information

The AN/ARN-30() is an airborne, VHF-AM radio set which receives and interprets VHF omnidirectional radio range signals and localizer signals as well as simultaneous reception of voice communications broadcast from ground stations. This information provides the operator with information used in navigation. The receiving set has provisions for connection to a VHF transmitter. When connected to a VHF transmitter, the AN/ARN-30(), which is primarily a navigation set, can be used as a communications set.

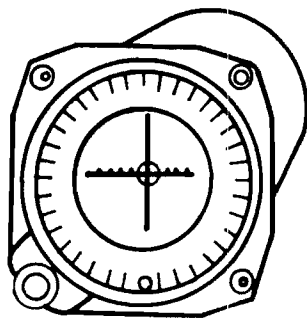
Technical Characteristics

Frequency Range-----	108.00 to 126.90 MHz
Planning Range-----	LOS
Number of Channels-----	190
Power Input-----	28 V DC
Power Source-----	Aircraft power system
Antenna-----	AS-580A/ARN-30 (two broad-band dipoles)
Tuning-----	Electrically actuated, crystal controlled
Type of Service-----	48K0A2A and 48K0A3E
Weight-----	11.8 kg (26 lb)

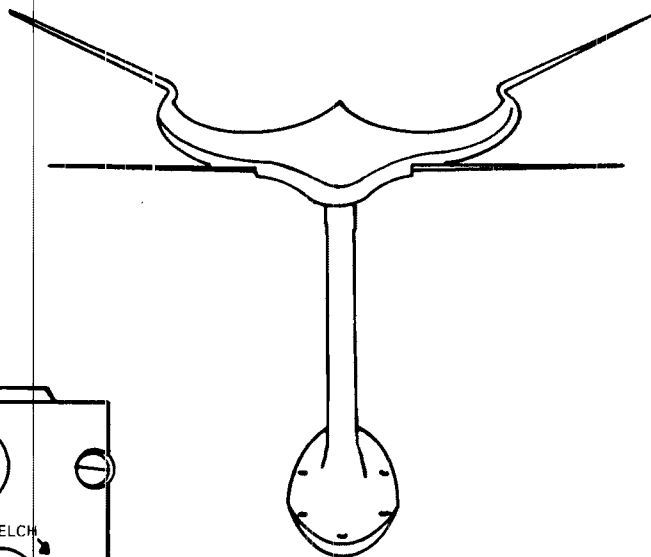
AN/ARN-30D/E Radio Receiving Set



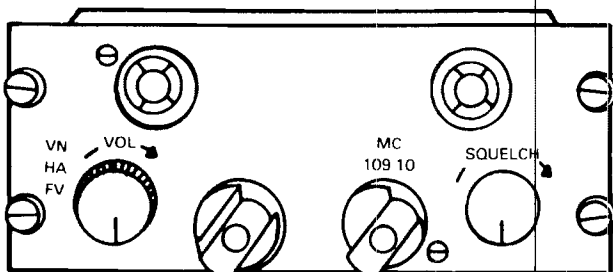
CV-265A/ARN-30A



ID-453/ARN-30



AS-580A/ARN-30



C-3436/ARN-30D