

**AN/APN-171A(V)1
Radar Altimeter Set**

Status: STD-R; NSN: 5841-00-144-7417

Reference: TB 43-0123
 TM 11-5841-272-20
 TM 11-5841-272-35

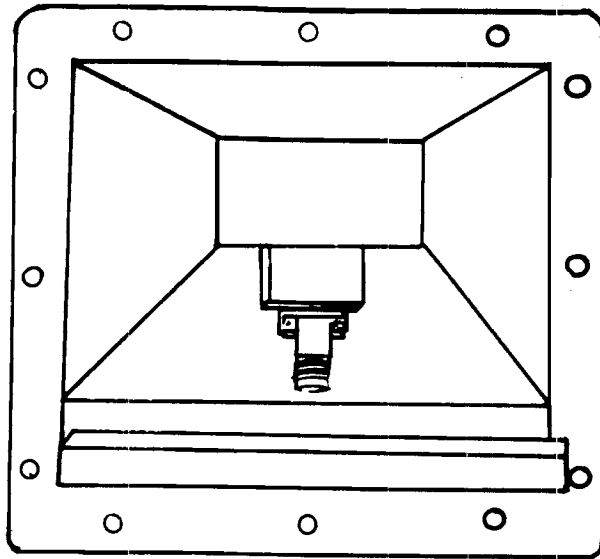
General Information

The AN/APN-171A(V)1 is an airborne, low-altitude, terrain-tracking, and altitude-sensing radar system. The altimeter set uses narrow pulse transmission and leading edge tracking of the echo return pulse for a continuous indication of aircraft altitude. Accurate high resolution tracking is maintainable at altitudes between 0 and 1,524 m (0 and 5,000 ft) as displayed on a servo actuated height indicator. The altimeter set provides the pilot of an aircraft with information on distance to the nearest terrain. This altitude data enables the pilot to maintain accurate altitude reference during low-level operations.

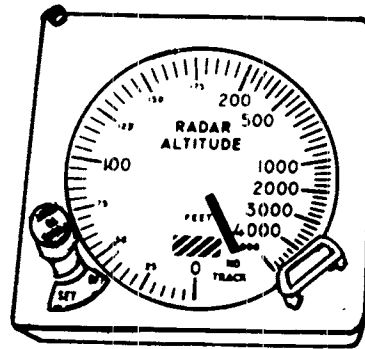
Technical Characteristics

Frequency Range-----4300 MHz
 Power Input-----115 V AC, 400 Hz; 28 V DC
 Power Source-----Aircraft power system
 Power Output-----Peak power 0 to 305 m (0 to 1,000 ft),
 25 to 100 W; peak power 305 to 1,524 m
 (1,000 to 5,000 ft), 100 to 300 W
 Bandwidth-----0 to 305 m (0 to 1,000 ft), 30 MHz; 305
 to 1,524 m (1,000 to 5,000 ft), 10 MHz
 Weight-----8.8 kg (19.45 lb)

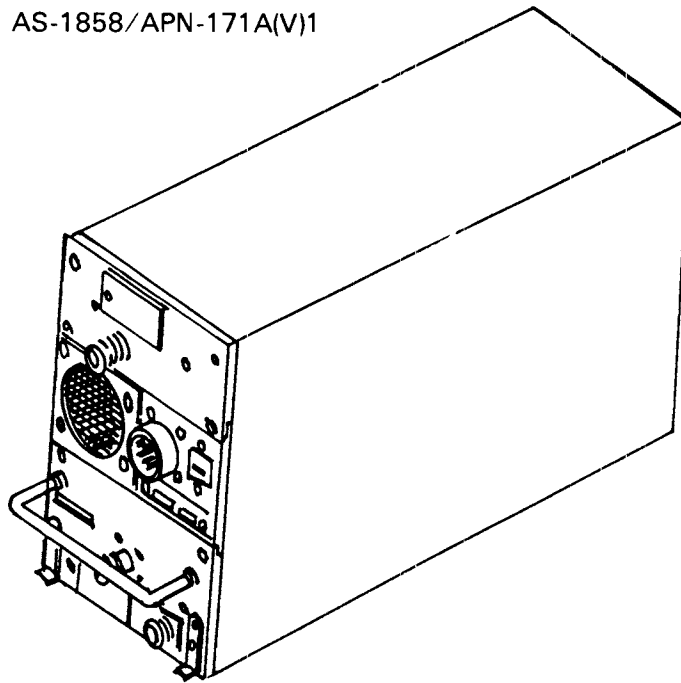
**AN/APN-171A(V)1
Radar Altimeter Set**



ANTENNA
AS-1858/APN-171A(V)1



INDICATOR, ALTITUDE
ID-1345/APN-171A(V)1



RECEIVER/TRANSMITTER
RT-804A/APN-171A(V)1