

AN/TYC-39(V)
Automatic Message Switch

NSN: 5805-01-123-1851

Reference: TM 11-5805-683-12-1

General Information

The AN/TYC-39(V) switch provides secure, automatic message switching of narrative record and data traffic at major corps and theater Army nodes in conjunction with multichannel LOS and demand assign multiple access (DAMA). The switch also includes tactical satellite communications (TACSATCOM), and tropospheric scatter communications media. This sheltered, tactically mobile equipment will be collocated with the AN/TTC-39 to provide circuit switching on data traffic as required. The difference between the models is in their cryptographic equipment. The (V)3 uses only integral TRI-TAC COMSEC equipment. The other models can operate with TRI-TAC or inventory COMSEC equipment. The (V)3 is not in general field use because of the tactical need to interoperate with available terminal equipment. The 400 Hz design of the (V)4 fits it for use in aircraft or at US Air Force installations. The 50-line switch consists of two shelters: the communications interface shelter (CIS) and the message processing shelter (MPS). The 25-line switch has both elements in a single shelter.

Technical Characteristics

The AN/TYC-39(V) automatically accepts, processes, stores, delivers, and accounts for narrative and data traffic through 50 lines, in ACP 127 and ACP 127 modified or JANAP 128 and JANAP 128 modified format only. Capabilities include processing multiple and collective addressed messages; mode, code, speed, and format conversions; handling six levels of precedence; message retrieval for retransmission; and message accountability and service functions. The AN/TYC-39(V) provides COMSEC for trunking and subscribers. Its interfaces include currently fielded record traffic terminals, modular record traffic terminals (MRTTs), modular tactical communications centers (MTCCs), unit level message switches (ULMSs), Automatic Telephone Central Offices AN/TTC-39, and DCS AUTODIN I. The AN/TTC-39(V) can interface with data adapters and the communications nodal control element (CNCE).

**Technical Characteristics
(cont.)**

Power Requirement 115/208 V AC, 3-phase, 50/60 Hz (400 Hz (V)4 only)

Weight:

CIS 3,086 kg (6,799 lb)

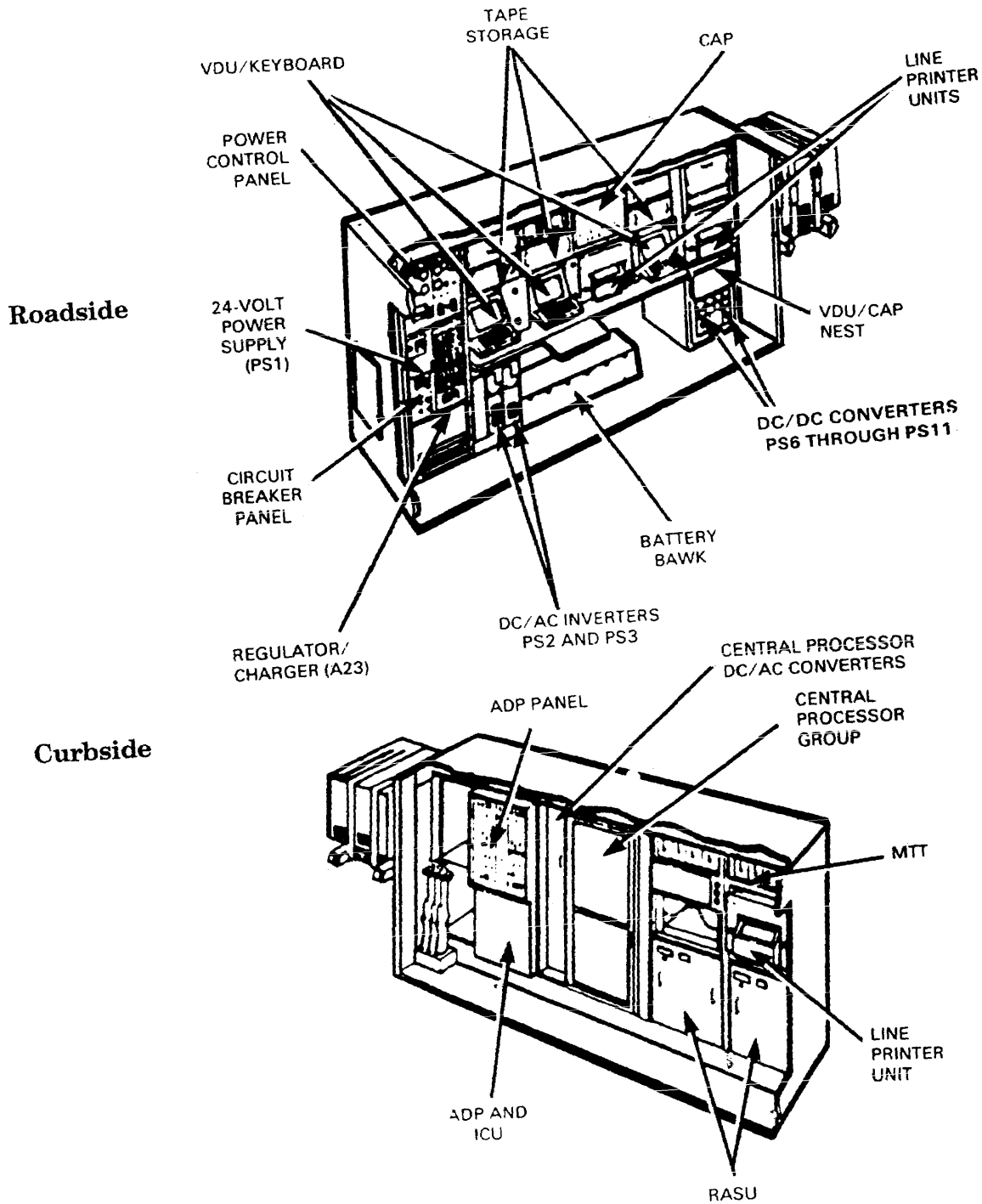
MP S 3,172 kg (6,986 lb)

Vehicle Requirements:

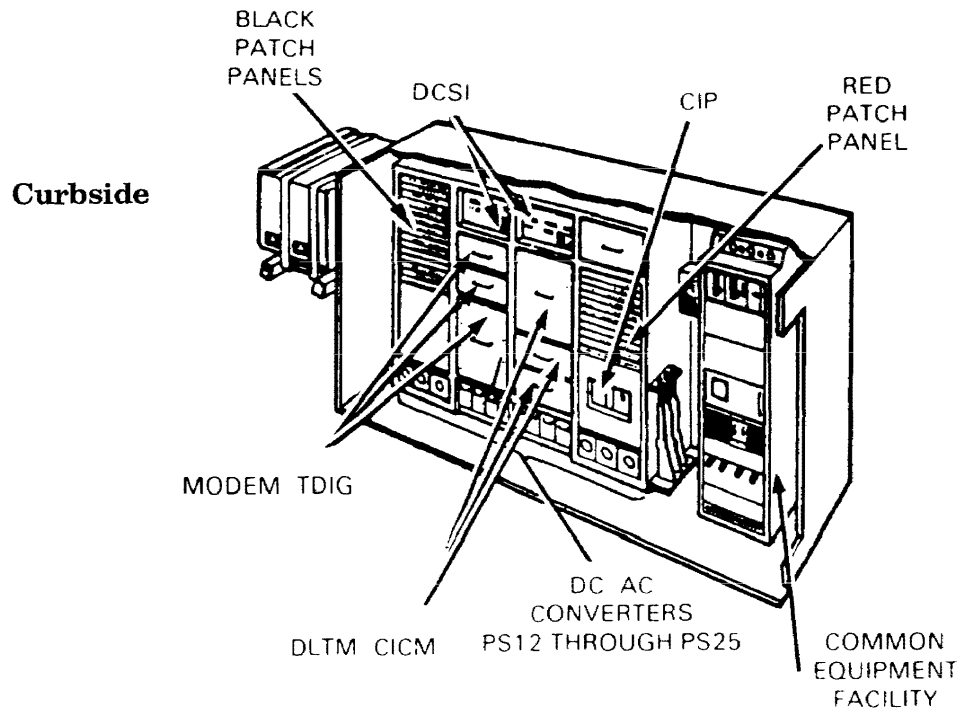
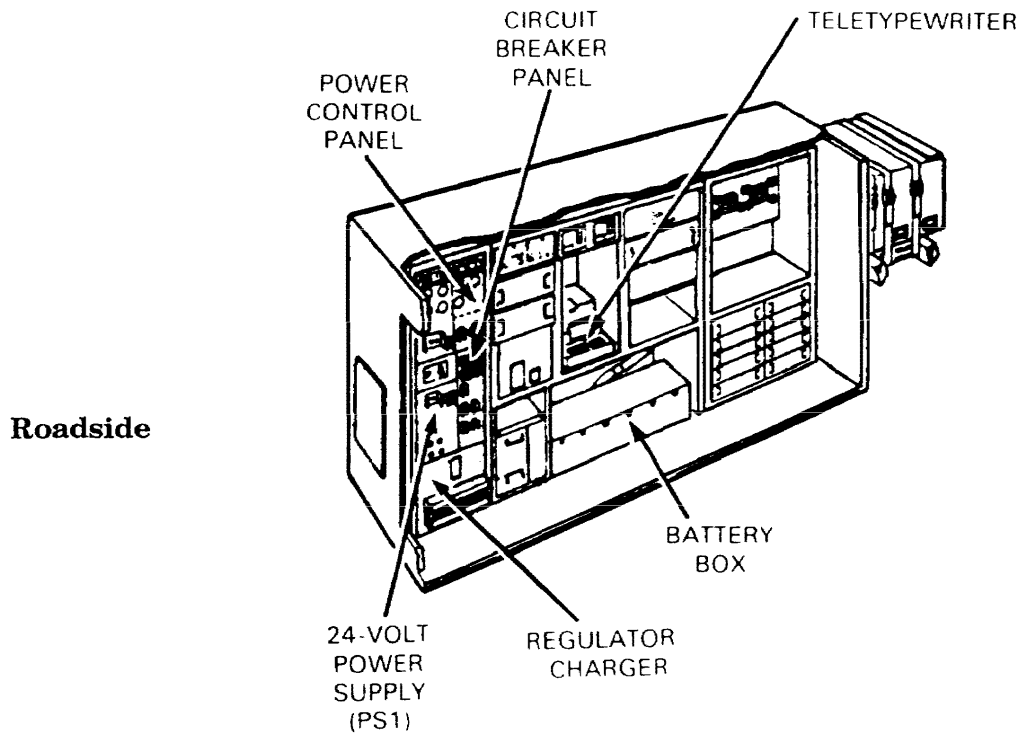
CIS, MPS, OX-54 Three 5-ton trucks

Storage and Maintenance Shelter Two 2 1/2-tontrucks

AN/TYC-39(V) Automatic Message Switch (Message Processing Shelter)

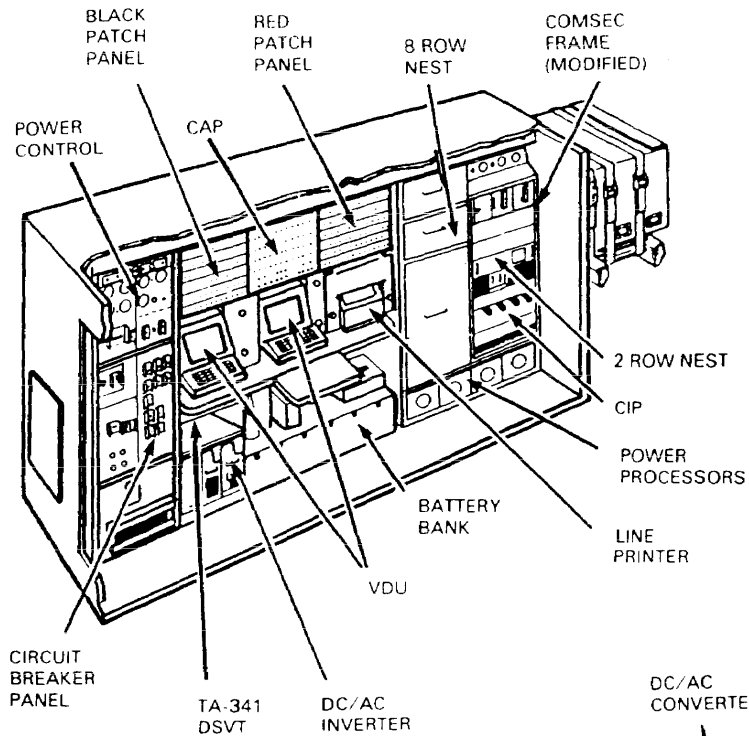


AN/TYC-39(V) Automatic Message Switch (Communications Interface Shelter)



AN/TYC-39(V) Automatic Message Switch (25-Line Single Shelter)

Roadside



Curbside

