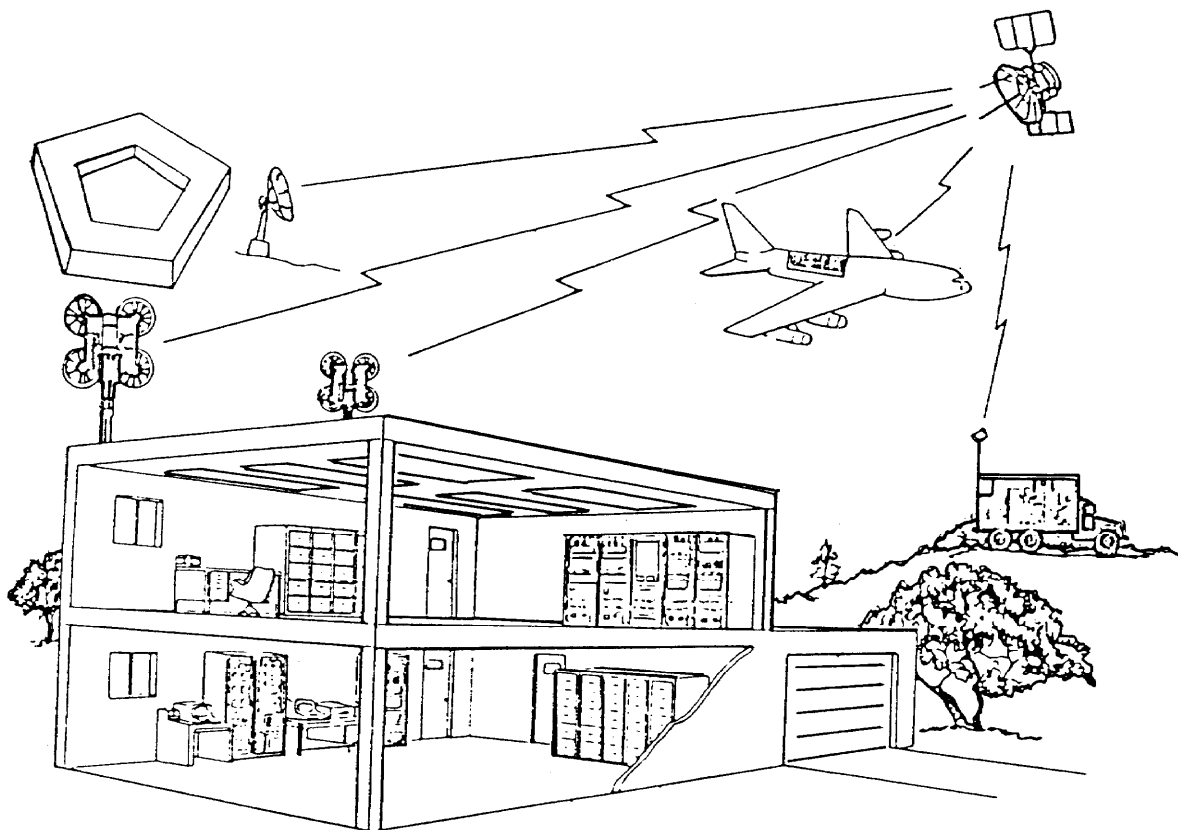


Technical Characteristics (Cont.)

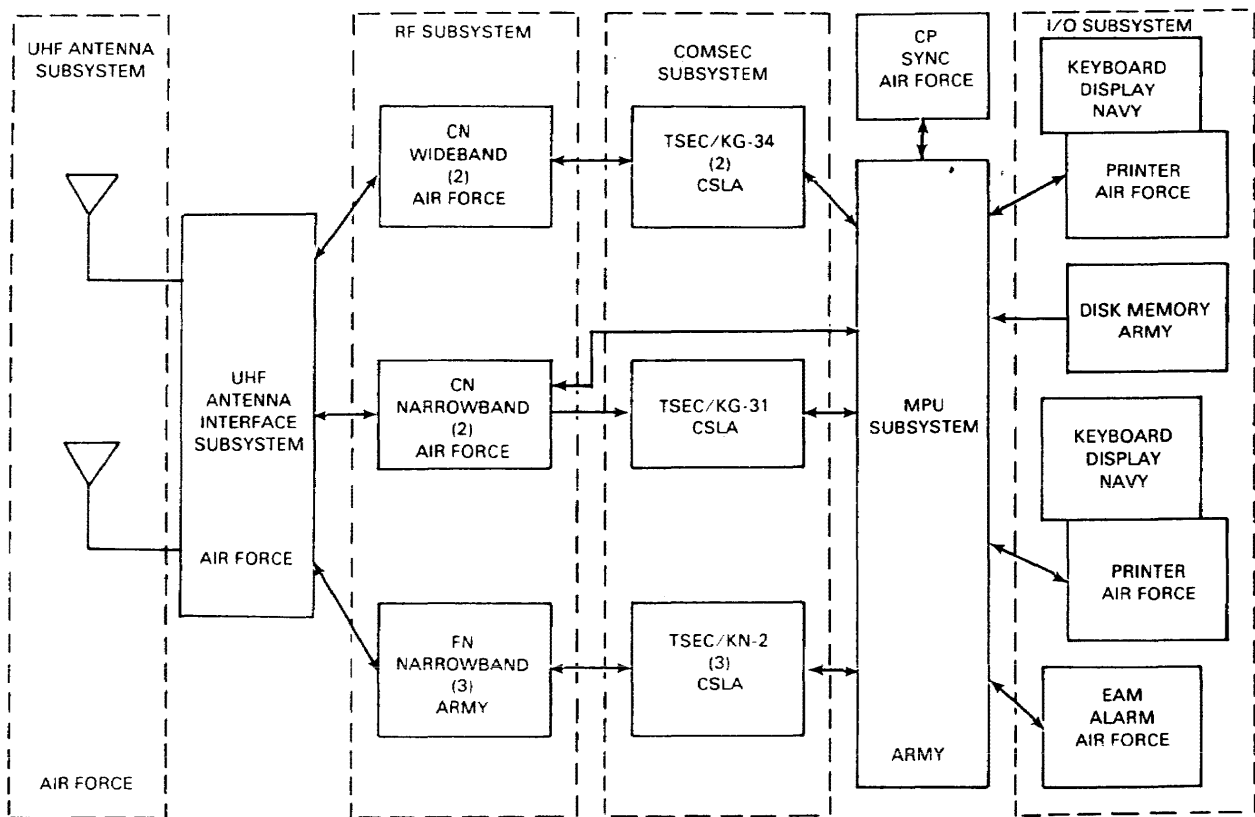
Security Device	TSEC/KN-2
Power Input	Mobile, 28 V DC at 100 amp; stationary, 115/230 V AC, 50/60 Hz at 10 kw
Power Output	10 to 100 W
Antenna	Low-gain AS-3439/G, omnidirectional high-gain AS-3438/G, directional
Weight	1,697 kg (3,738 lb) (approximately)

AN/GSC-40(V) Special Communications System



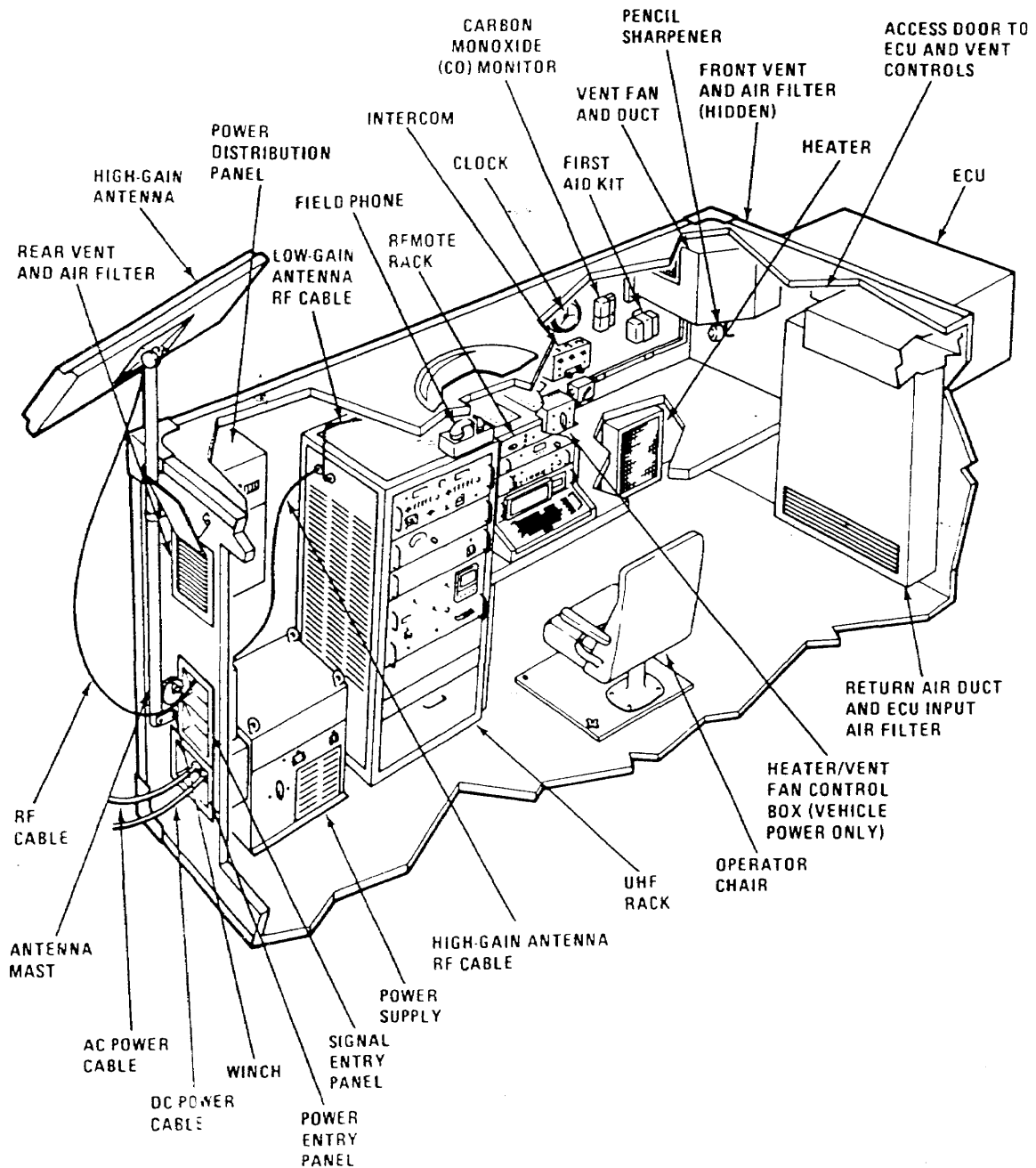
TYPICAL SCS NET CONFIGURATION

SCS Functional Block Diagram



AN/MSC-64(V) Satellite Communications Terminal

Roadside



AN/MSC-64(V) Satellite Communications System

Curbside

