



80960SA/SB SPECIFICATION UPDATE

Release Date: June, 1997
Order Number: 272850-002

The 80960SA/SB may contain design defects or errors known as errata which may cause the 80960SA/SB to deviate from published specifications. Current characterized errata are documented in this Specification Update.

Information in this document is provided in connection with Intel products. No license, express or implied, by estoppel or otherwise, to any intellectual property rights is granted by this document. Except as provided in Intel's Terms and Conditions of Sale for such products, Intel assumes no liability whatsoever, and Intel disclaims any express or implied warranty, relating to sale and/or use of Intel products including liability or warranties relating to fitness for a particular purpose, merchantability, or infringement of any patent, copyright or other intellectual property right. Intel products are not intended for use in medical, life saving, or life sustaining applications.

Intel retains the right to make changes to specifications and product descriptions at any time, without notice.

The 80960SA/SB may contain design defects or errors known as errata which may cause the 80960SA/SB to deviate from published specifications. Current characterized errata are available upon request.

Contact your local Intel sales office or your distributor to obtain the latest specifications before placing your product order.

*Third-party brands and names are the property of their respective owners.

Copies of documents which have an ordering number and are referenced in this document, or other Intel literature, may be obtained from:

Intel Corporation
P.O. Box 7641
Mt. Prospect IL 60056-7641

or call in North America 1-800-879-4683, Europe 44-0-1793-431-155,
France 44-0-1793-421-777, Germany 44-0-1793-421-333, other countries 708-296-9333

Copyright © 1996, 1997, INTEL CORPORATION

CONTENTS

REVISION HISTORY	1
PREFACE	2
SUMMARY TABLE OF CHANGES	4
IDENTIFICATION INFORMATION	6
ERRATA	8
SPECIFICATION CHANGES	14
SPECIFICATION CLARIFICATIONS	15
DOCUMENTATION CHANGES	16

REVISION HISTORY

Intel currently manufactures only the C stepping of the 80960SA and only the B stepping of the 80960SB. The 80960SB B stepping has one erratum, and the 80960SA C stepping has no errata.

Date of Revision	Version	Description
6/30/97	002	Added Errata #8.
07/01/96	001	This is the new Specification Update document. It contains all identified errata published prior to this date.

PREFACE

As of July, 1996, Intel's Computing Enhancement Group has consolidated available historical device and documentation errata into this new document type called the Specification Update. We have endeavored to include all documented errata in the consolidation process, however, we make no representations or warranties concerning the completeness of the Specification Update.

This document is an update to the specifications contained in the Affected Documents/Related Documents table below. This document is a compilation of device and documentation errata, specification clarifications and changes. It is intended for hardware system manufacturers and software developers of applications, operating systems, or tools.

Information types defined in Nomenclature are consolidated into the specification update and are no longer published in other documents.

This document may also contain information that was not previously published.

Affected Documents/Related Documents

Electrical specifications for these products are found in the following documents:

Title	Order
<i>80960SA Embedded 32-Bit Microprocessor with 16-bit Burst Data Bus</i> datasheet	272206
<i>80960SB Embedded 32-Bit Microprocessor with 16-bit Burst Data Bus</i> datasheet	272207

Functional descriptions for these products are found in the following documents:

Title	Order
<i>i960® SA/SB Microprocessor Reference Manual</i>	270929

Nomenclature

Errata are design defects or errors. These may cause the published (component, board, system) behavior to deviate from published specifications. Hardware and software designed to be used with any component, board, and system must consider all errata documented.

Specification Changes are modifications to the current published specifications. These changes will be incorporated in any new release of the specification.

Specification Clarifications describe a specification in greater detail or further highlight a specification's impact to a complex design situation. These clarifications will be incorporated in any new release of the specification.

Documentation Changes include typos, errors, or omissions from the current published specifications. These will be incorporated in any new release of the specification.

NOTE:

Errata remain in the specification update throughout the product's lifecycle, or until a particular stepping is no longer commercially available. Under these circumstances, errata removed from the specification update are archived and available upon request. Specification changes, specification clarifications and documentation changes are removed from the specification update when the appropriate changes are made to the appropriate product specification or user documentation (datasheets, manuals, etc.).

SUMMARY TABLE OF CHANGES

The following table indicates the errata, specification changes, specification clarifications, or documentation changes which apply to the 80960SA/SB product. Intel may fix some of the errata in a future stepping of the component, and account for the other outstanding issues through documentation or specification changes as noted. This table uses the following notations:

Codes Used in Summary Table

Stepping

X:	Errata exists in the stepping indicated. Specification Change or Clarification that applies to this stepping.
(No mark) or (Blank box):	This erratum is fixed in listed stepping or specification change does not apply to listed stepping.

Page

(Page):	Page location of item in this document.
---------	-----------------------------------------

Status

Doc:	Document change or update will be implemented.
Fix:	This erratum is intended to be fixed in a future step of the component.
Fixed:	This erratum has been previously fixed.
NoFix:	There are no plans to fix this erratum.
Eval:	Plans to fix this erratum are under evaluation.

Row

█	Change bar to left of table row indicates this erratum is either new or modified from the previous version of the document.
---	-----------------------------------------------------------------------------------------------------------------------------

Errata

No.	Steppings				Page	Status	ERRATA
	A	A-1	B	C-1			
1	X				8	Fixed	Byte Enables Switch Prematurely with Wait States
2	X				10	Fixed	Data Bus Invalid after First Wait State
3	X	X			11	Fixed	INTA# Pulses Incorrect
4	X	X			11	Fixed	Byte Enables BE1:0# Inactive Until READY# Assertion
5	X	X	X		11	Fixed	FAIL# Pin Malfunction
6			X		12	Fixed	Breakpoint Register Initialization
7			X		12	Fixed	Extra Idle State During Interrupt Acknowledge Cycle
8	X	X	X		13	Fix	Undocumented Register Flushes on Interrupt Return for the 80960SA/SB Microprocessors

Specification Changes

No.	Steppings			Page	Status	SPECIFICATION CHANGES
	#	#	#			
						None for this revision of this specification update.

Specification Clarifications

No.	Steppings			Page	Status	SPECIFICATION CLARIFICATIONS
	#	#	#			
						None for this revision of this specification update.

Documentation Changes

No.	Document Revision	Page	Status	DOCUMENTATION CHANGES
				None for this revision of this specification update.

IDENTIFICATION INFORMATION

Markings

As of January 1994, all N80960SA, S80960SA, and N80960SB devices will be marked with stepping numbers. Status column indicates affected products with asterisk (*).

80960SA/SB steppings are identified by specification numbers from the following list:

Part #	Specification #	Stepping	Package	Status
N80960SA	C1	C-1	PLCC	*Current
S80960SA	C1	C-1	QFP-EIAJ	*Current
N80960SB	B	B	PLCC	*Current
N80960SA	Q 8244	C-1	PLCC	Current
S80960SA	Q 8261	C-1	QFP-EIAJ	Current
TN80960SA	Q 8341	C-1	PLCC	Current
N80960SA	C1 S W225	C-1	PLCC (T & R)	*Current
N80960SA	C1 S W226	C-1	PLCC (T & R)	*Current
N80960SA	C1 S W227	C-1	PLCC (T & R)	*Current
N80960SB	Q 8319	A	PLCC	Obsolete
S80960SB	Q 8320	A	QFP-EIAJ	Obsolete
C80960SB	Q 8322	A	CLCC	Obsolete
C80960SB	Q 8358	A-1	CLCC	Obsolete
N80960SB	Q 8374	A-1	PLCC	Obsolete
S80960SB	Q 8375	A-1	QFP-EIAJ	Obsolete
N80960SB	Q 8378	A-1	PLCC	Obsolete
N80960SB	Q 8465	A	PLCC	Obsolete
S80960SB	Q 8466	A	QFP-EIAJ	Obsolete
N80960SB	S V899	A-1	PLCC	Obsolete
S80960SB	S V900	A-1	QFP-EIAJ	Obsolete
N80960SA	S V943	A-1	PLCC	Obsolete
N80960SA	S V944	A-1	PLCC	Obsolete
N80960SB	S V945	A-1	PLCC	Obsolete
S80960SA	S V966	A-1	QFP-EIAJ	Obsolete
S80960SB	S V967	A-1	QFP-EIAJ	Obsolete
N80960SA	S V998	B	PLCC	Obsolete

N80960SA	S V999	B	PLCC	Obsolete
N80960SB	S W001	B	PLCC	Obsolete
N80960SB	S W002	B	PLCC	Obsolete
S80960SA	S W003	B	QFP-EIAJ	Obsolete
S80960SB	S W004	B	QFP-EIAJ	Obsolete
N80960SA	S W159	B	PLCC (T & R)	Obsolete
N80960SA	S W140	B	PLCC (T & R)	Obsolete
N80960SB	B S W025	B	PLCC (T & R)	*Current
N80960SB	B S W232	B	PLCC (T & R)	*Current

ERRATA

1. *Byte Enables Switch Prematurely with Wait States*

PROBLEM: During many accesses with wait states, the BE1:0# signals incorrectly switch after the first Tw state. The affected accesses include:

- All byte accesses with wait states.
- All quad-word, triple-word, long-word, word or short-word accesses with single-byte misalignment and wait states.

If the bus cycle is a burst access, the problem occurs on each data transfer within the burst. This problem will not occur if READY# always goes active early enough to signal zero wait states.

IMPLICATION: User systems and software may exhibit erroneous behavior.

WORKAROUND: Do not use the READY# input; tie it to a LOW logic state. If wait states are necessary, gate the input clock using external logic.

Figure 1 illustrates example workaround logic. A programmable logic device (PLD) driven by a 4X clock oscillator provides a 2X clock for the 80960SA/SB and other system clocks. READY# is an input to the PLD which stops the 2X clock whenever it is asserted. When READY# is deasserted, the PLD resynchronizes the 2X clock to the system clocks. Figure 2 is a state diagram of the workaround.

The 80960SA/SB has dynamic registers, so do not stop its input clock for more than about one microsecond. This restriction limits the number of wait states to about nine for a 10 MHz 80960SA/SB.

The workaround also reduces the overall performance of the microprocessor since it cannot execute instructions while its clock is stopped.

STATUS: Refer to Summary Table of Changes to determine the affected stepping(s).

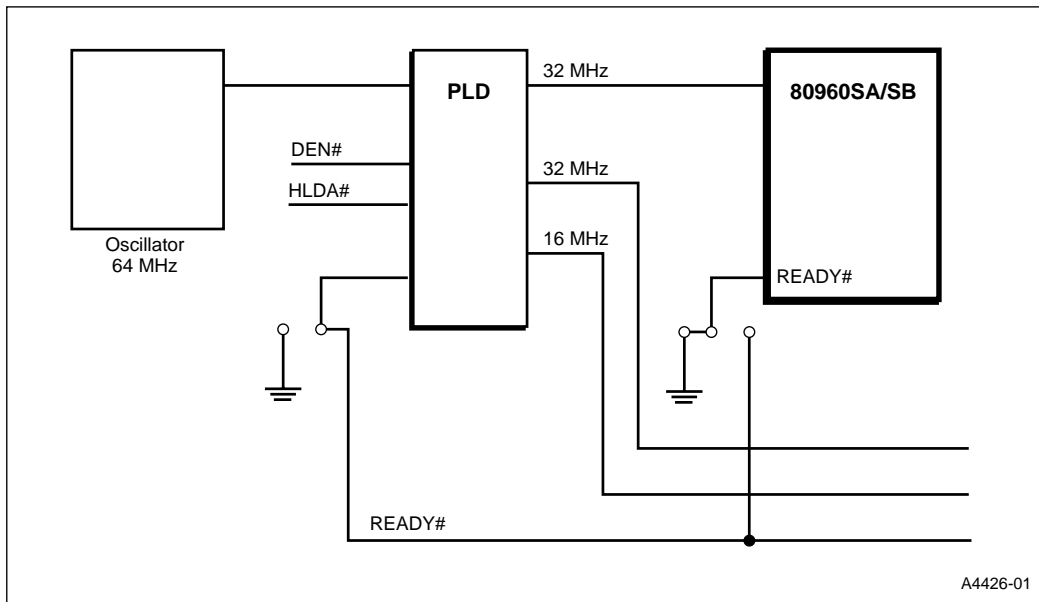


Figure 1. Block Diagram of Workaround

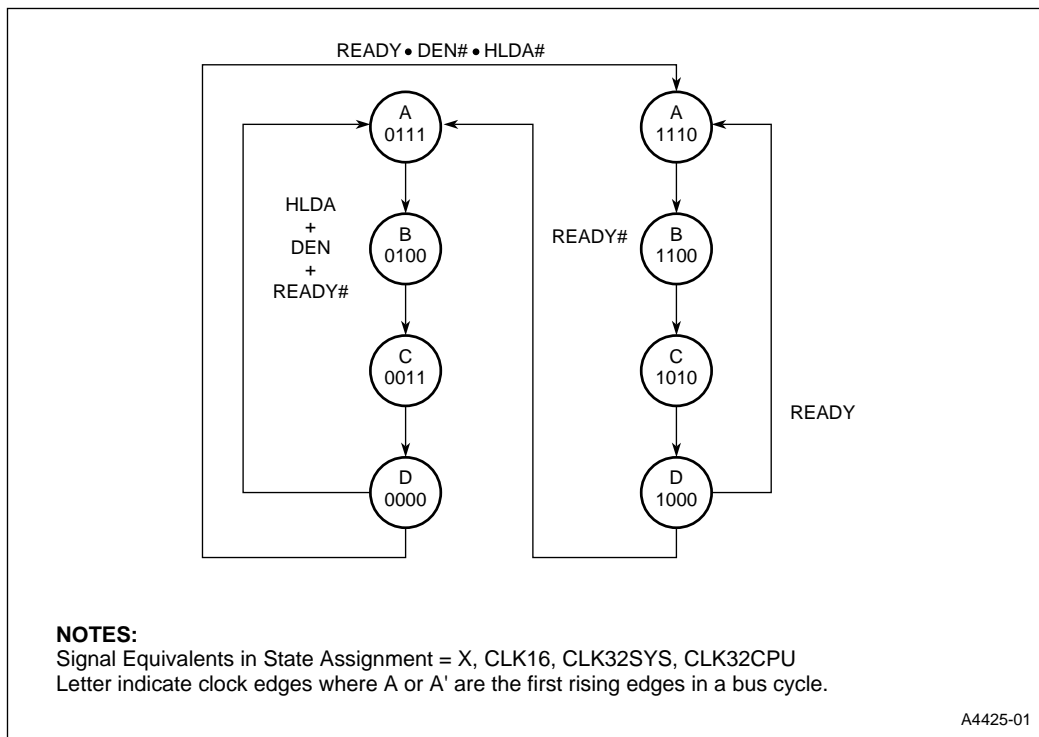


Figure 2. State Diagram

2. *Data Bus Invalid after First Wait State*

PROBLEM: During certain write cycles with wait states, the data are valid only during the first T_w state. The affected accesses include:

- All byte writes with wait states.
- All short-word writes with wait states.
- All quad-word, triple-word, long-word or word writes with single-byte or short-word misalignment and wait states.

If the bus cycle is a burst access, the problem occurs on each data transfer within the burst.

WORKAROUND: This erratum is related to #1 and the workaround is identical. Do not use READY# to insert wait states.

STATUS: Refer to Summary Table of Changes to determine the affected stepping(s).

3. *INTA# Pulses Incorrect*

PROBLEM:

A. During interrupt acknowledge sequences, INTA# does not transition high between the two bus accesses which comprise the cycle. An 8259A interrupt controller will fail because it will see just one long INTA# pulse, not two distinct pulses.

B. A sequence of approximately twelve spurious INTA# pulses can occur during the processor self-test.

WORKAROUND:

A. Generate a new INTA# signal by OR'ing DEN# with the 80960SA/SB INTA# output. The new signal will meet 8259A input requirements except that an additional wait state may be necessary.

B. Ignore INTA# during self-test. A hardware fix is usually not necessary.

STATUS: Refer to Summary Table of Changes to determine the affected stepping(s).

4. *Byte Enables BE1:0# Inactive Until READY# Assertion*

PROBLEM: If the READY# input is active at the end of the address cycle, the byte enables operate correctly. If READY# is inactive at the end of the address cycle, the byte enables stay inactive through successive data cycles until READY# is activated. This problem only affects systems implemented as normally-not-ready.

WORKAROUND: The best workaround is implementation of a normally-ready system, (i.e., READY# is asserted except when wait states are desired)¹

STATUS: . For a normally-not-ready system, AND the AS# signal with the ready logic and connect the resulting output to the processor's READY# input.

STATUS: Refer to Summary Table of Changes to determine the affected stepping(s).

5. *FAIL# Pin Malfunction*

PROBLEM: During initialization, the BLAST#/FAIL# pin does not signal the outcome of the memory checksum test unless the internal self-test was selected during reset.

The combination of asserted BLAST#/FAIL# and deasserted BE1:0# indicates an initialization failure on the 80960SA/SB. When leaving reset, the 80960Sx checks the states of the INT0#, INT1, INT3# and LOCK# pins to select initialization activity. After the processor passes or skips the internal self-test, the BLAST#/FAIL# pin goes active twice while the processor performs two quad word reads starting at 00000000H. If a zero checksum of the eight words is incorrect, the processor should again activate FAIL#, indicating an initialization failure. However, if the internal self-test was disabled, a failure is not indicated, regardless of the checksum. In all cases, an incorrect checksum shuts down the processor.

WORKAROUND: Pull INT0#, INT3# and LOCK# up to a HIGH state during reset to select the internal self-test.

STATUS: Refer to Summary Table of Changes to determine the affected stepping(s).

6. Breakpoint Register Initialization

PROBLEM: The 80960Sx has two breakpoint registers; these can be written using the Set Breakpoint Register IAC only, and they cannot be read. Bits 2-31 of the register contain the address on which to break, and bit 1 enables or disables the breakpoint. These registers are not set to a specific value during initialization, and may be enabled upon powerup. This could cause sporadic breakpoints to occur if tracing is enabled in the process controls and breakpoint trace mode is enabled in the trace controls.

IMPLICATION: This errata does not affect the normal function of the breakpoint.

WORKAROUND: Disable the breakpoints using the Set Breakpoint Register IAC to set bit 1 of both registers to 1. In addition if breakpoints are not being used, do not set the breakpoint trace mode bit in the trace controls.

STATUS: Refer to Summary Table of Changes to determine the affected stepping(s).

7. Extra Idle State During Interrupt Acknowledge Cycle

PROBLEM: There are 6 Ti states between the two INTA pulses of an Interrupt Acknowledge Cycle, rather than the 5 Ti states that are documented. In addition the W/R# pin will pulse high for one cycle during the first Ti state.

WORKAROUND: The Interrupt Request/Acknowledge Transaction still functions properly, with an additional cycle of latency.

STATUS: Refer to Summary Table of Changes to determine the affected stepping(s).

8. *Undocumented Register Flushes on Interrupt Return for the 80960SA/SB Microprocessors*

PROBLEM: The 80960Sx processors may execute unnecessary local register set flushes on interrupt return. The flushes occur when the working register belongs to an interrupt service routine (isr), and a *return* instruction is executed. The interrupt return flushes every register set in the cache excluding the set belonging to the procedure that was interrupted.

Example One: (A) function #1 is the only register set in the cache and is interrupted by isr #1. (B) on the return from interrupt, the function #1 register set is reinstated as the working set with no sets flushed to the stack.

Example Two: (A) function #1 call function #2, which calls function #3; function #3 is interrupted by isr #1. On the return from interrupt, function #1 and function #2 are flushed to the stack. (B) function #3 is reinstated as the working register set.

Example Three: (A) function #3 is interrupted by isr #1 which is interrupted by an isr of higher priority, isr #2. On return from interrupt, function #3 is flushed to the procedure stack. Isr #1 is reinstated as the working register. (B) On the interrupt return from isr #1, there are no sets in the cache to flush. (C) The processor must perform a register cache fill from the procedure stack.

Notice that on return from the only active isr, the working register set belongs to the first interrupted procedure and the remainder of the cache is invalid.

IMPLICATION: The flushes are transparent to the user; however, they will cause an unexpected increase in interrupt latency. On the 80960SA/SB processors, this is ~80 cycles with zero wait state memory.

WORKAROUND: Accommodate the longer interrupt return latency. Otherwise, prevent any combination of nested functions and/or interrupts.

STATUS: Refer to Summary Table of Changes to determine the affected stepping(s).

SPECIFICATION CHANGES

None for this revision of this specification update.

SPECIFICATION CLARIFICATIONS

None for this revision of this specification update.

DOCUMENTATION CHANGES

None for this revision of this specification update.